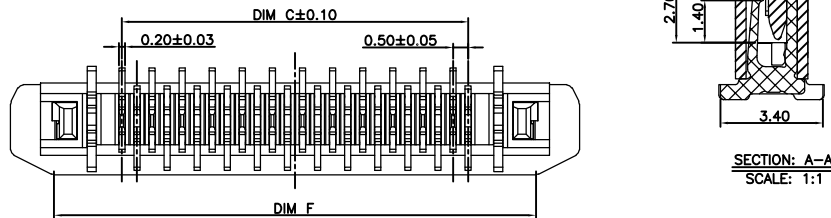
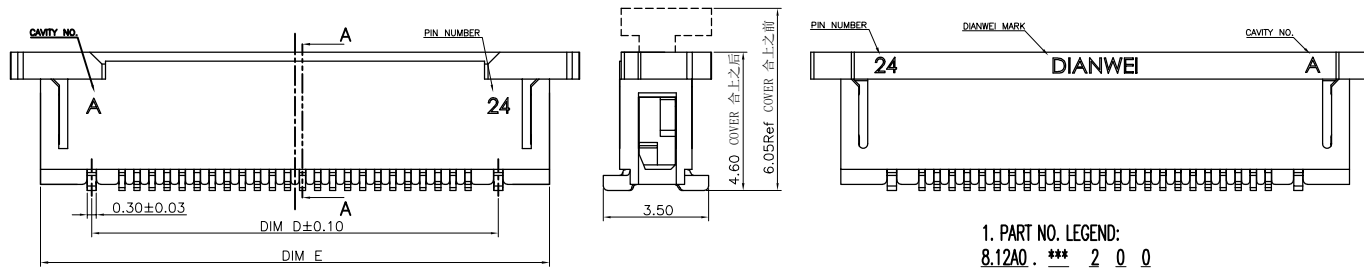
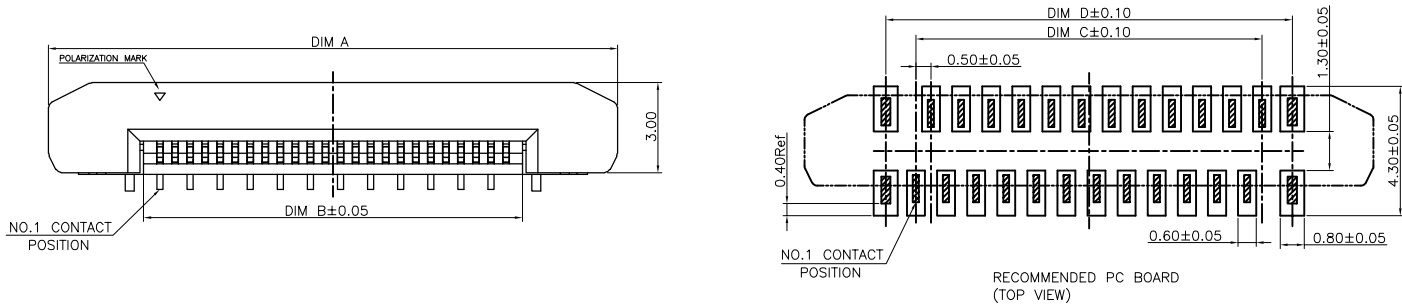


DRAWING TYPE CUSTOMER DRAWING

MARK	DATE	DESCRIPTION	DESIGN
A	2020.05.06	PROPOSAL	CHEN



1. PART NO. LEGEND:

8.12A0 . *** 2 0 0

① ② ③ ④ ⑤

①.SERIES NAME:8.12A0=0.5MM FFC/FPC VERTICAL TYPE CONNECTOR

②.CONTACT PIN NUMBER:***=CONTACT PIN NUMBER

③.CONTACT AREA PLATING SPEC: GOLD PLATING: 2=1~3u",3=5u",4=10u",5=15u"
SOLDER AREA PLATING SPEC: GOLD PLATING: 2=1~3u",3=5u",4=10u",5=15u"

④.UNSPECIFIED:0=NONSENSE

⑤.UNSPECIFIED:0=NONSENSE

2. PERFORMANCE:

2.1: CURRENT RATING: 0.5A/PIN.

2.2: VOLTAGE RATING: 50V (AC/DC).

2.3: CONTACT RESISTANCE: INITIAL VALUE 30mOHM Max,

2.4: INSULATION RESISTANCE: 500MOHM Min.

2.5: DIELECTRIC WITHSTANDING VOLTAGE: 250V AC FOR 1MINUTE;

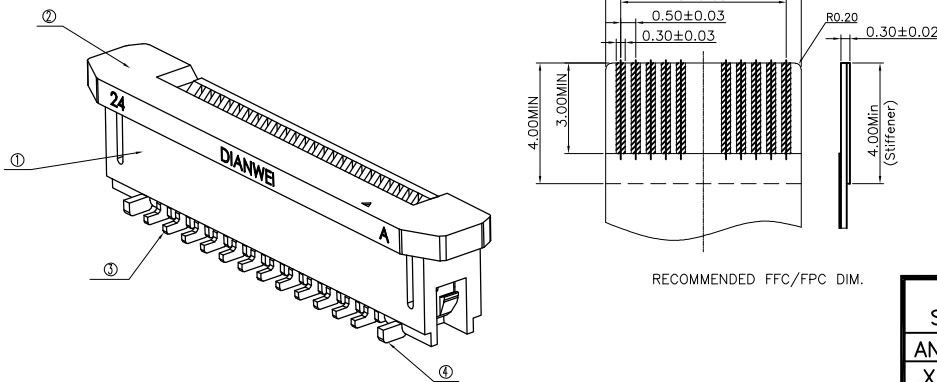
2.6: DURABILITY: 20 TIMES Min.

2.7: OPERATING TEMPERATURE: -40°C~+85°C

OPERATING HUMIDITY RANGE: 20% TO 85%

Pin No.	P/N	DIM A	DIM B	DIM C	DIM D	DIM E	DIM F
4		8.90	2.58	1.50	3.50	6.90	6.01
5		9.40	3.08	2.00	4.00	7.40	6.51
6		9.90	3.58	2.50	4.50	7.90	7.01
8		10.90	4.58	3.50	5.50	8.90	8.01
9		11.40	5.08	4.00	6.00	9.40	8.51
10		11.90	5.58	4.50	6.50	9.90	9.01
12		12.90	6.58	5.50	7.50	10.90	10.01
13		13.40	7.08	6.00	8.00	11.40	10.51
14		13.90	7.58	6.50	8.50	11.90	11.01
15		14.40	8.08	7.00	9.00	12.40	11.51
16		14.90	8.58	7.50	9.50	12.90	12.01
18		15.90	9.58	8.50	10.50	13.90	13.01
20		16.90	10.58	9.50	11.50	14.90	14.01
22		17.90	11.58	10.50	12.50	15.90	15.01
24	8.12A0.024200	18.90	12.58	11.50	13.50	16.90	16.01
26		19.90	13.58	12.50	14.50	17.90	17.01
28		20.90	14.58	13.50	15.50	18.90	18.01
30		21.90	15.58	14.50	16.50	19.90	19.01
32		22.90	16.58	15.50	17.50	20.90	20.01
34		23.90	17.58	16.50	18.50	21.90	21.01
35		24.40	18.08	17.00	19.00	22.40	21.51
36		24.90	18.58	17.50	19.50	22.90	22.01
40		26.90	20.58	19.50	21.50	24.90	24.01
42		27.90	21.58	20.50	22.50	25.90	25.01
45		29.40	23.08	22.00	24.00	27.40	26.51
50		31.90	25.58	24.50	26.50	29.90	29.01
52		32.90	26.58	25.50	27.50	30.90	30.01
54		33.90	27.58	26.50	28.50	31.90	31.01
55		34.40	28.08	27.00	29.00	32.40	31.51
60		36.90	30.58	29.50	31.50	34.90	34.01

4	STATOR	BRASS		2
3	TERMINAL	PHOSPHOR BRONZE		POSITIONS
2	COVER	THERMOPLASTIC UL94V-0	BLACK	1
1	HOUSING	THERMOPLASTIC UL94V-0	NATURAL	1
NO.	COMPONENTS	MATERIALS	FINISH/COLOR SPECIFICATION	QUANTITY



RECOMMENDED FFC/FPC DIM.

UNLESS OTHERWISE SPECIFIED TOLERANCE			
ANG	TOL	DIM	TOL
.X	±3.0°	.X	±0.20
.XX	±2.0°	.XX	±0.10
.XXX	±1.0°	.XXX	±0.05

DIANWEI

东莞市钿威电子科技有限公司
DONGGUAN DIANWEI ELECTRONIC TECHNOLOGY CO., LTD
Tel: +86-769-8788 8322 Fax: +86-769-8788 8321 E-mail: sales@ dianwei.cn Http://www.dianwei.cn

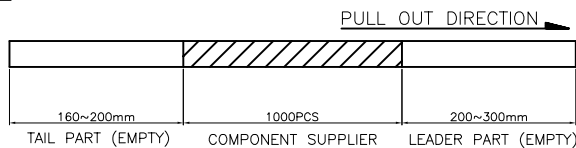
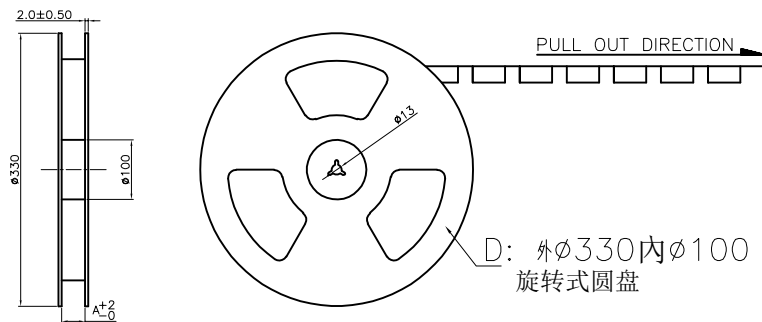
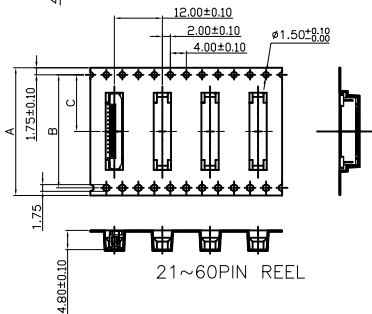
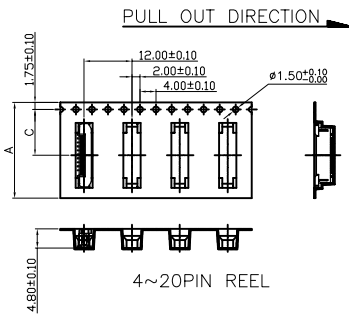
APPROVED	VERIFIED	DRAWING NO	PART NAME:	0.5MM FFC/FPC VERTICAL TYPE CONNECTOR			
		8.12A0-C	PART NO.	8.12A0.***200			
DESIGN	CHEN	DATE	UNITS	SCALE	PAGE	REV	
		2020.05.06	mm	1:1	1/1	A	

NOTE: ALL RIGHTS RESERVED,BANNED COPY!

DRAWING TYPE

PACKAGE DRAWING

MARK	DATE	DESCRIPTION	DESIGN
A	2017.06.12	PROPOSAL	CHEN
B	2020.05.06	UPDATE DWG	CHEN

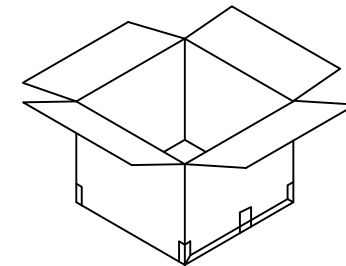
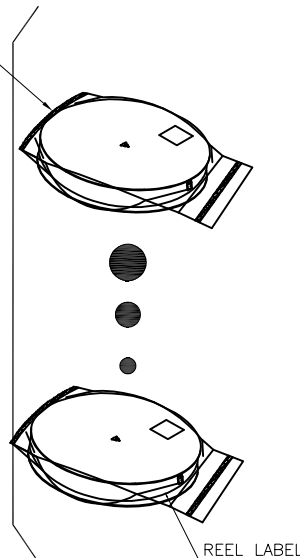


NOTES:

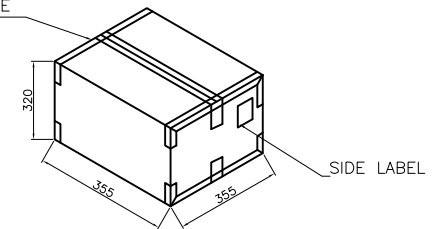
- MATERIAL:
 - CARRY TAPE:HIPS,T=0.30±0.05mm,CLEAR
 - REEL:HIPS,
 - SHIM:PE,CLEAR.
- PRIMARY PACKING:1000PCS/REEL.
- SECONDARY PACKING:SEE PACKING LIST
- PEELING RESISTANCE: 0.2~1.3N(20~130gf); PEELING ANGLE: 165°~180°; PEELING SPEED: 300mm/minutes.

每盘使用PE带真空包装

TOTAL N LAYERS



TRANSPARENT GULE TAPE



5. QTY. LIST:

NO. OF POS.	A	B	C	PCS/REEL
4~20 PIN	24.0	—	11.5	1000
21~30 PIN	32.0	28.4	14.2	1000
31~50 PIN	44.0	40.4	20.2	1000
51~60 PIN	56.0	52.4	26.2	1000

NOTE: ALL RIGHTS RESERVED,BANNED COPY!

UNLESS OTHERWISE SPECIFIED TOLERANCE

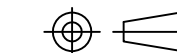
ANG	TOL	DIM	TOL
.X	±3.0°	.X	±0.20
.XX	±2.0°	.XX	±0.10
.XXX	±1.0°	.XXX	±0.05

DIANWEI

东莞市钿威电子科技有限公司

DONGGUAN DIANWEI ELECTRONIC TECHNOLOGY CO., LTD

Tel: +86-769-8788 8322 Fax: +86-769-8788 8321 E-mail: sales@ dianwei.cn Http://www.dianwei.cn



APPROVED

VERIFIED

DRAWING NO

8.12A0-P

PART NAME:

0.5MM FFC/FPC VERTICAL TYPE CONNECTOR PACKAGE SPEC

PART NO.

8.12A0.***200

DATE

2020.05.06

UNITS

mm

SCALE

1:1

PAGE

1/1

REV

B

CHEN

QP-04-33-B