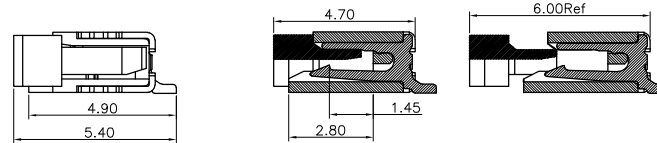
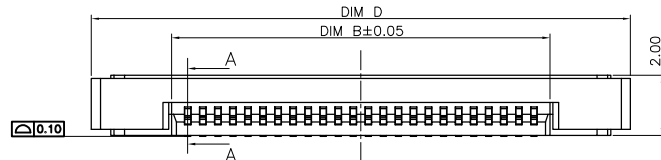
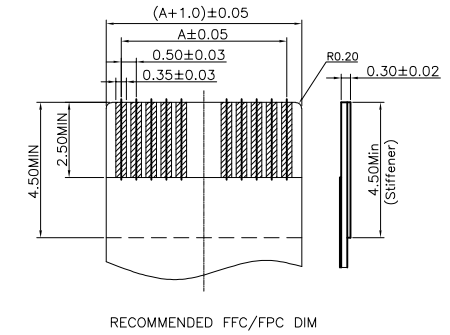
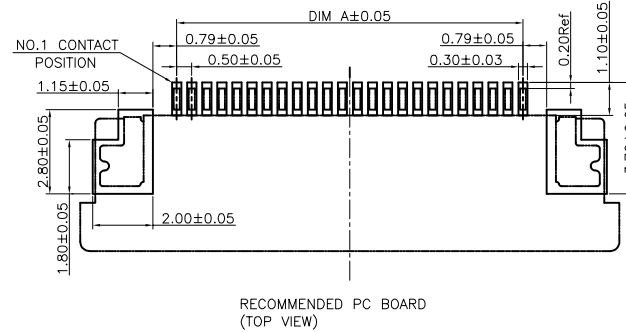
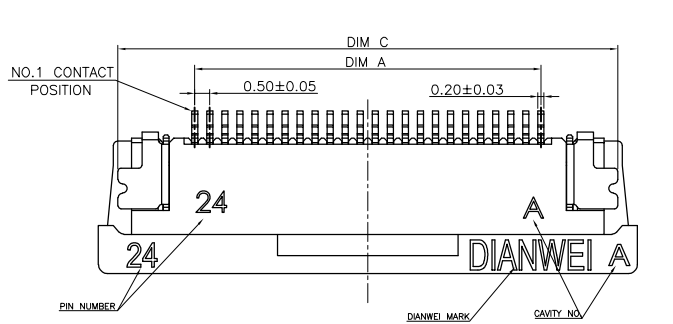


DRAWING TYPE CUSTOMER DRAWING

MARK	DATE	DESCRIPTION	DESIGN
A	2020.05.06	PROPOSAL	CHEN



Pin No.	P/N	DIM A	DIM B	DIM C	DIM D
4		1.50	2.56	6.60	7.90
5		2.00	3.06	7.10	8.40
6		2.50	3.56	7.60	8.90
8		3.50	4.56	8.60	9.90
9		4.00	5.06	9.10	10.40
10		4.50	5.56	9.60	10.90
12	8.13A0.012200	5.50	6.56	10.60	11.90
13		6.00	7.06	11.10	12.40
14		6.50	7.56	11.60	12.90
15		7.00	8.06	12.10	13.40
16		7.50	8.56	12.60	13.90
18		8.50	9.56	13.60	14.90
20		9.50	10.56	14.60	15.90
22		10.50	11.56	15.60	16.90
24	8.13A0.024200	11.50	12.56	16.60	17.90
26		12.50	13.56	17.60	18.90
28		13.50	14.56	18.60	19.90
30		14.50	15.56	19.60	20.90

1. PART NO. LEGEND:

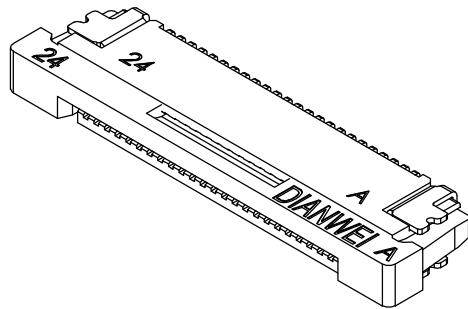
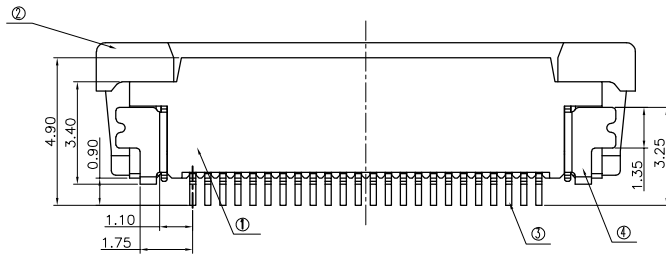
8.13A0 . *** 2 0 0
① ② ③ ④ ⑤

- ①.SERIES NAME:8.13A0=0.5MM FFC/FPC HORIZONTAL TYPE CONNECTOR
- ②.CONTACT PIN NUMBER:***=CONTACT PIN NUMBER
- ③.CONTACT AREA PLATING SPEC: GOLD PLATING: 2=1~3u";3=5u";4=10u";5=15u"
SOLDER AREA PLATING SPEC: GOLD PLATING: 2=1~3u";3=5u";4=10u";5=15u"
- ④.UNSPECIFIED:0=NONSENSE
- ⑤.UNSPECIFIED:0=NONSENSE

2. PERFORMANCE:

- 2.1. CURRENT RATING: 0.5A/PIN.
- 2.2. VOLTAGE RATING: 50V (AC/DC).
- 2.3. CONTACT RESISTANCE: INITIAL VALUE 30mOHM Max,
- 2.4. INSULATION RESISTANCE: 500MOHM Min.
- 2.5. DIELECTRIC WITHSTANDING VOLTAGE: 250V AC FOR 1MINUTE;
- 2.6. DURABILITY: 20 TIMES Min.
- 2.7. OPERATING TEMPERATURE: -40°C~+85°C
OPERATING HUMIDITY RANGE: 20% TO 85%

NO.	COMPONENTS	MATERIALS	FINISH/COLOR	SPECIFICATION	QUANTITY
4	STATOR	PHOSPHOR BRONZE			2
3	TERMINAL	PHOSPHOR BRONZE			POSITIONS
2	COVER	THERMOPLASTIC UL94V-0	BLACK		1
1	HOUSING	THERMOPLASTIC UL94V-0	NATURAL		1



NOTE: ALL RIGHTS RESERVED, BANNED COPY!

UNLESS OTHERWISE SPECIFIED TOLERANCE			
ANG	TOL	DIM	TOL
.X	±3.0°	.X	±0.20
.XX	±2.0°	.XX	±0.10
.XXX	±1.0°	.XXX	±0.05

DIANWEI

东莞市钿威电子科技有限公司
DONGGUAN DIANWEI ELECTRONIC TECHNOLOGY CO., LTD

Tel: +86-769-8788 8322 Fax: +86-769-8788 8321 E-mail: sales@dianwei.cn Http://www.dianwei.cn

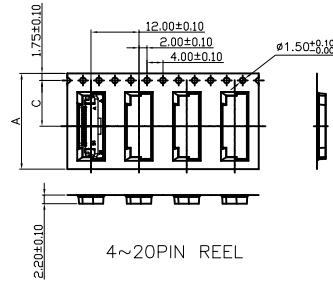
DRAWING NO	PART NAME:	0.5MM FFC/FPC BOTTOM CONTACT HORIZONTAL TYPE CONNECTOR(H=2.0mm)			
8.13A0-C	PART NO.	8.13A0.***200			
APPROVED	VERIFIED	DESIGN	DATE	UNITS	SCALE
		CHEN	2020.05.06	mm	1:1
			PAGE	REV	
			1/1	A	

DRAWING TYPE

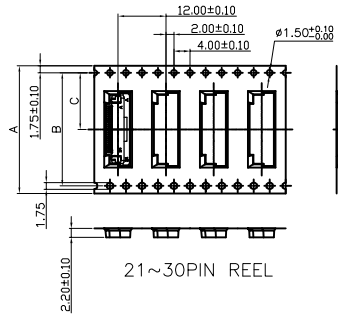
PACKAGE DRAWING

MARK	DATE	DESCRIPTION	DESIGN
A	2017.06.12	PROPOSAL	CHEN
B	2020.05.06	UPDATE DWG	CHEN

PULL OUT DIRECTION



4~20PIN REEL



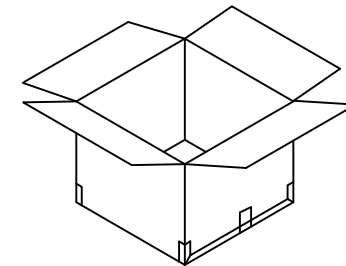
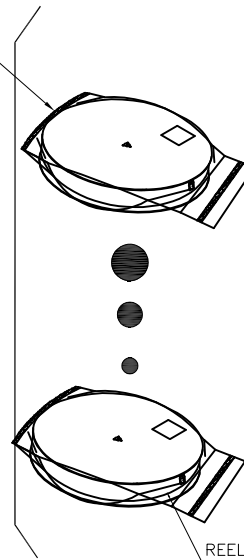
21~30PIN REEL

NOTES:

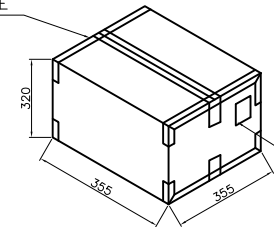
- MATERIAL:
 - CARRY TAPE:HIPS,T=0.30±0.05mm,BLACK
 - REEL:HIPS,
 - SHIM:PE,CLEAR.
- PRIMARY PACKING:2000PCS/REEL.
- SECONDARY PACKING:SEE PACKING LIST
- PEELING RESISTANCE: 0.1~1.3N(10~130gf); PEELING ANGLE: 165°~180°; PEELING SPEED: 300mm/minutes.

每盘使用PE带真空包装

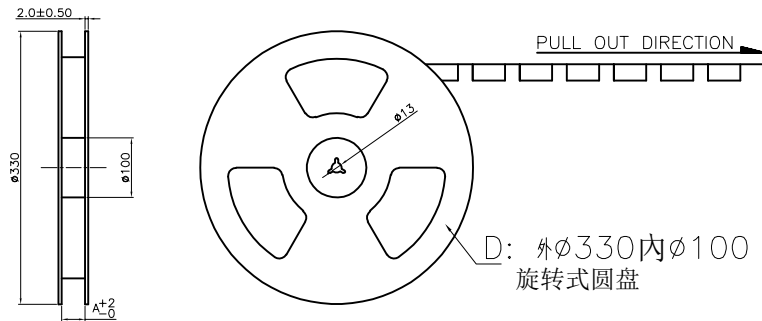
TOTAL N LAYERS



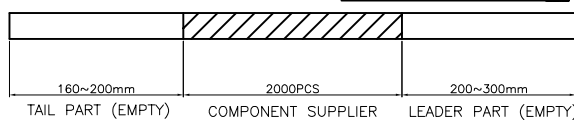
TRANSPARENT GULE TAPE



SIDE LABEL

D: 外φ330内φ100
旋转式圆盘

PULL OUT DIRECTION



TAIL PART (EMPTY) COMPONENT SUPPLIER LEADER PART (EMPTY)

5. QTY. LIST:

NO. OF POS.	A	B	C	PCS/REEL
4~20 PIN	24.0	11.5	11.5	2000
21~30 PIN	32.0	28.4	14.2	2000

UNLESS OTHERWISE SPECIFIED TOLERANCE

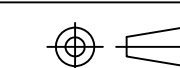
ANG	TOL	DIM	TOL
.X	±3.0°	.X	±0.20
.XX	±2.0°	.XX	±0.10
.XXX	±1.0°	.XXX	±0.05

DIANWEI

东莞市钿威电子科技有限公司

DONGGUAN DIANWEI ELECTRONIC TECHNOLOGY CO., LTD

Tel: +86-769-8788 8322 Fax: +86-769-8788 8321 E-mail: sales@lianwei.cn Http://www.lianwei.cn



APPROVED

VERIFIED

DRAWING NO

8.13A0-P

PART NAME:

0.5MM FFC/FPC VERTICAL TYPE CONNECTOR
PACKAGE SPEC

PART NO.

8.13A0.***200

DATE

2020.05.06

UNITS

mm

SCALE

1:1

PAGE

1/1

REV

B

NOTE: ALL RIGHTS RESERVED, BANNED COPY!

QP-04-33-B