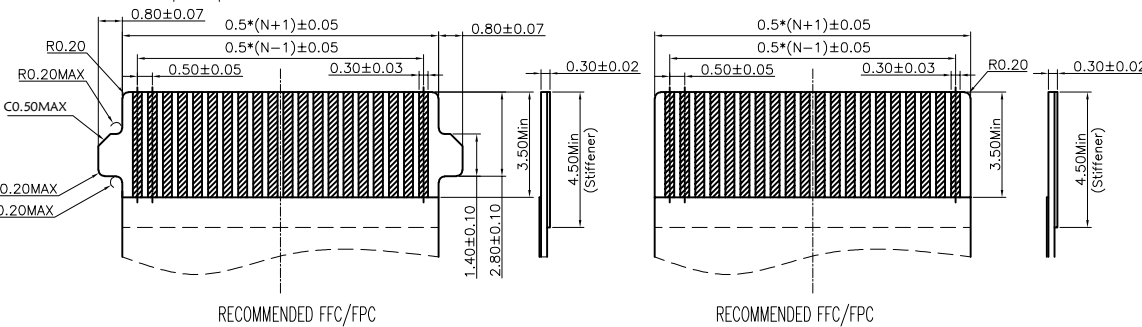
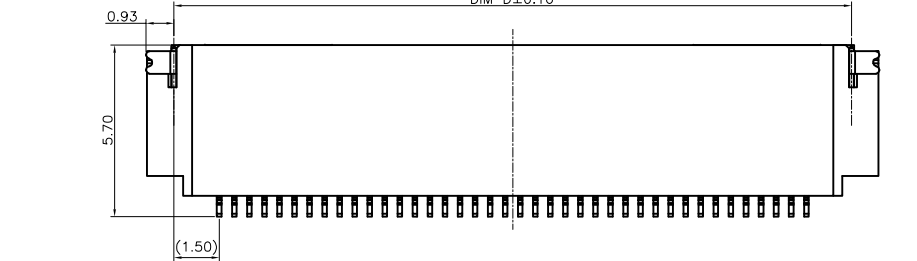
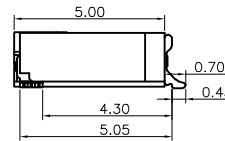
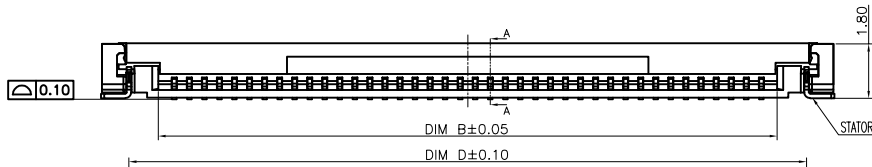
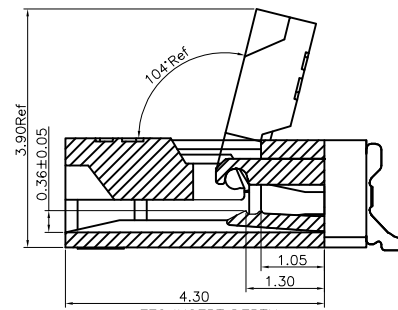
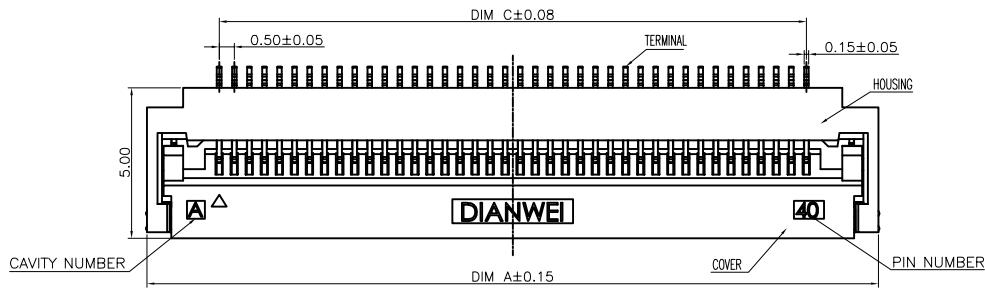


DRAWING TYPE CUSTOMER DRAWING

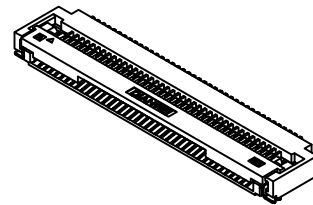
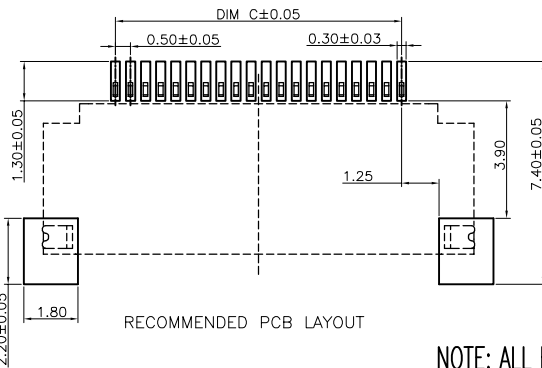
MARK	DATE	DESCRIPTION	DESIGN
A	2021.01.25	PROPOSAL	CHEN



1. PART NO. LEGEND:
8.20A0.*200**
 ① ② ③ ④ ⑤
- ①. SERIES NAME: 8.20A0=0.5MM FFC/FPC SWING COVER CONNECTOR (H=1.8mm)
 - ②. CONTACT PIN NUMBER: ***=CONTACT PIN NUMBER
 - ③. CONTACT AREA PLATING SPEC: PART GOLD PLATING; 2=1~3u", 3=5u", 4=10u", 5=15u"
 SOLDER AREA PLATING SPEC: PART GOLD PLATING; 2=1~3u", 3=5u", 4=10u", 5=15u"
 - ④. UNSPECIFIED: 0=NONSENSE
 - ⑤. UNSPECIFIED: 0=NONSENSE
2. PERFORMANCE:
- 2.1. CURRENT RATING: 0.5A/PIN.
 - 2.2. VOLTAGE RATING: 50V (AC/DC).
 - 2.3. CONTACT RESISTANCE: INITIAL VALUE 30mOHM Max,
 - 2.4. INSULATION RESISTANCE: 500MOHM Min.
 - 2.5. DIELECTRIC WITHSTANDING VOLTAGE: 250V AC FOR 1MINUTE;
 - 2.6. DURABILITY: 20 TIMES Min.
 - 2.7. OPERATING TEMPERATURE: -40°C~+85°C
 OPERATING HUMIDITY RANGE: 20% TO 85%

Pin No.	P/N	DIM A	DIM B	DIM C	DIM D
4	8.20A0.004200	6.30	2.56	1.50	4.50
6	8.20A0.006200	7.30	3.56	2.50	5.50
8	8.20A0.008200	8.30	4.56	3.50	6.50
10	8.20A0.010200	9.30	5.56	4.50	7.50
12	8.20A0.012200	10.30	6.56	5.50	8.50
20	8.20A0.020200	14.30	10.56	9.50	12.50
24	8.20A0.024200	16.30	12.56	11.50	14.50
30	8.20A0.030200	19.30	15.56	14.50	17.50
34	_____	21.30	17.56	16.50	19.50
40	8.20A0.040200	24.30	20.56	19.50	22.50
41	_____	24.80	21.06	20.00	23.00
42	8.20A0.042200	25.30	21.56	20.50	23.50
45	8.20A0.045200	26.80	23.06	22.00	25.00
50	8.20A0.050200	29.30	25.56	24.50	27.50
51	_____	29.80	26.06	25.00	28.00
54	8.20A0.054200	31.30	27.56	26.50	29.50
55	8.20A0.055200	31.80	28.06	27.00	30.00
56	8.20A0.056200	32.30	28.56	27.50	30.50
60	8.20A0.060200	34.30	30.56	29.50	32.50
61	_____	34.80	31.06	30.00	33.00
64	8.20A0.064200	36.30	32.56	31.50	34.50
65	_____	36.80	33.06	32.00	35.00
68	8.20A0.068200	38.30	34.56	33.50	36.50
70	_____	39.30	35.56	34.50	37.50
71	_____	39.80	36.06	35.00	38.00
75	_____	41.80	38.06	37.00	40.00
80	8.20A0.080200	44.30	40.56	39.50	42.50
81	_____	44.80	41.06	40.00	43.00
85	_____	46.80	43.06	42.00	45.00
90	_____	49.30	45.56	44.50	47.50
95	_____	51.80	48.06	47.00	50.00
96	8.20A0.096200	52.30	48.56	47.50	50.50
100	8.20A0.100200	54.30	50.56	49.50	52.50
128	_____	68.30	64.56	63.50	66.50

NO.	COMPONENTS	MATERIALS	FINISH/COLOR	SPECIFICATION	QUANTITY
4	STATOR	PHOSPHOR BRONZE			2
3	TERMINAL	PHOSPHOR BRONZE			POSITIONS
2	COVER	THERMOPLASTIC UL94V-0	BLACK		1
1	HOUSING	THERMOPLASTIC UL94V-0	NATURAL		1



UNLESS OTHERWISE SPECIFIED TOLERANCE

ANG	TOL	DIM	TOL
.X	±3.0°	.X	±0.20
.XX	±2.0°	.XX	±0.10
.XXX	±1.0°	.XXX	±0.05

DIANWEI

东莞市钿威电子科技有限公司
 DONGGUAN DIANWEI ELECTRONIC TECHNOLOGY CO., LTD
 Tel: +86-769-8788 8322 Fax: +86-769-8788 8321 E-mail: sales@ dianwei.cn Http://www.dianwei.cn

DRAWING NO: 8.20A0-C

PART NAME: 0.5MM FFC/FPC SWING COVER CONNECTOR(H=1.8mm)

PART NO: 8.20A0.***200

DATE: 2021.01.25

APPROVED	VERIFIED	DESIGN	UNITS	SCALE	PAGE	REV
		CHEN	mm	1:1	1/1	A

NOTE: ALL RIGHTS RESERVED, BANNED COPY!

DRAWING TYPE

PACKAGE DRAWING

MARK

DATE

DESCRIPTION

DESIGN

A

2021.01.25

PROPOSAL

CHEN

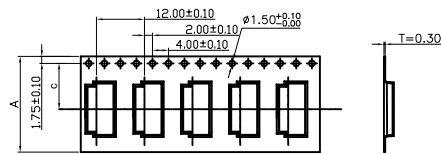
B

2022.02.14

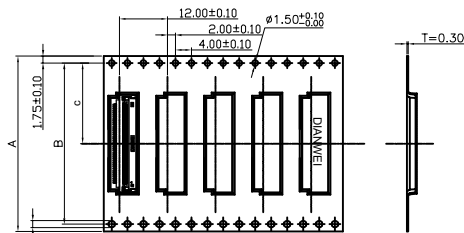
24P载带宽由24mm改为32mm

CHEN

PULL OUT DIRECTION



10~23PIN REEL



24~128PIN REEL

NOTES:

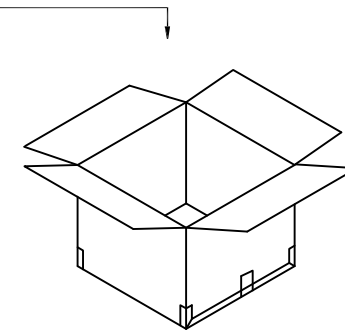
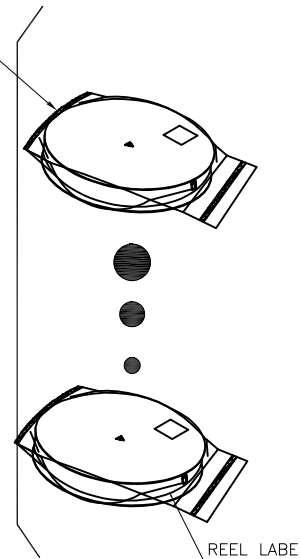
- MATERIAL:
 - CARRY TAPE:HIPS,T=0.30±0.05mm,CLEAR
 - REEL:HIPS,
 - SHIM:PE,CLEAR.
- PRIMARY PACKING:2000PCS/REEL.
- SECONDARY PACKING:SEE PACKING LIST
- PEELING RESISTANCE: 0.2~1.5N(20~150gf); PEELING ANGLE: 165°~180°; PEELING SPEED: 300mm/minutes.

5. QTY. LIST:

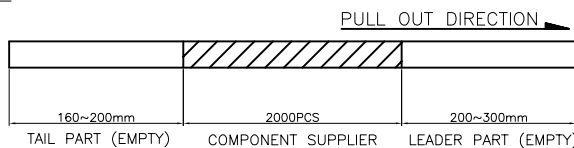
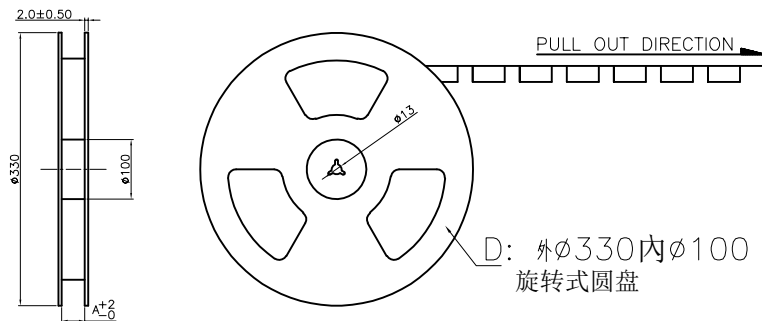
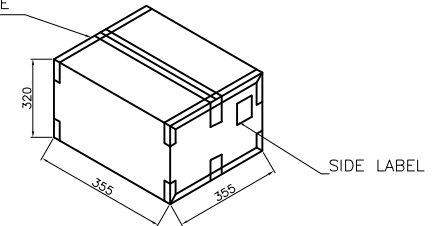
NO. OF POS.	A	B	C	PCS/REEL
4~ 8 PIN	16.0	/	7.5	2000
10~23 PIN	24.0	/	11.5	2000
24~34 PIN	32.0	28.4	14.2	2000
35~54 PIN	44.0	40.4	20.2	2000
55~76 PIN	56.0	52.4	26.2	2000
77~104 PIN	72.0	68.4	34.2	2000
105~128 PIN	88.0	84.4	42.2	2000

每盘使用PE带真空包装

TOTAL N LAYERS



TRANSPARENT GULE TAPE



NOTE: ALL RIGHTS RESERVED,BANNED COPY!

UNLESS OTHERWISE SPECIFIED TOLERANCE

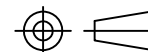
ANG	TOL	DIM	TOL
.X	±3.0°	.X	±0.20
.XX	±2.0°	.XX	±0.10
.XXX	±1.0°	.XXX	±0.05

DIANWEI

东莞市钿威电子科技有限公司

DONGGUAN DIANWEI ELECTRONIC TECHNOLOGY CO., LTD

Tel: +86-769-8788 8322 Fax: +86-769-8788 8321 E-mail: sales@ dianwei.cn Http://www.dianwei.cn



APPROVED

VERIFIED

DRAWING NO

8.20A0-P

PART NAME:

0.5MM FFC/FPC SWING COVER CONNECTOR (H=1.8mm)
PACKAGE SPEC

PART NO.

8.20A0.***200

DESIGN

CHEN

DATE

2022.02.14

UNITS

mm

SCALE

1:1

PAGE

1/1

REV

B

QP-04-33-B